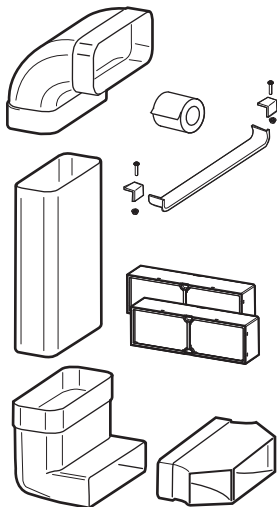


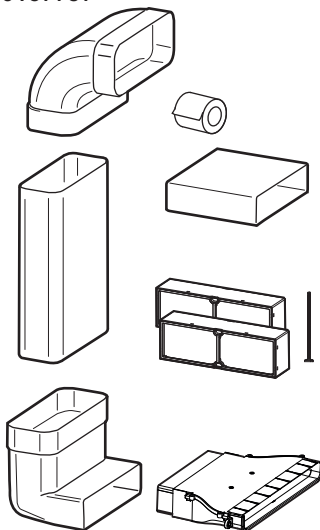


* TUBAZIONI PER NIKALATESLA PRIME S VERSIONE FILTRANTE.
ACQUISTABILI SEPARATAMENTE.

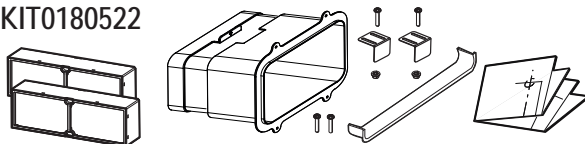
KIT0167756



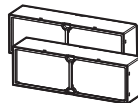
KIT0167757



KIT0180522



KIT0167755



KIT0121016
90° 218x55mm



KIT0121002
15° 227x94mm



KIT0126810
227x94mm



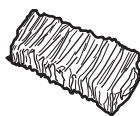
KIT0121001
227x94x80mm



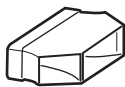
KIT0173527
222x89x500mm



KIT0121005
90° 227x94mm



KIT0121017
218x55mm



KIT0168750

KIT0121015
223x59x72mm



KIT0161453

KIT0120991
222x89x1000mm

KIT0121012
218x55x500mm

KIT0121013
218x55x1000mm